

REVISION RECORD				
REV	ECD	DESCRIPTION	DRFT	CHKD

NOTES:

MATERIAL:

1. HOUSING MATERIAL :GLASS FILLED POLYESTER UL94V-0.
2. CONTACT MATERIAL :PHOSPHOR BRONZE $\phi=0.46\text{mm}$.
3. PLATING :SELECTING GOLD PLATING $3\mu\sim 50\mu$ OVER NICKEL
4. SHIELD: :0.20mm THICKNESS COPPER ALLY WITH NICKEL PLATED

ELECTRICAL:

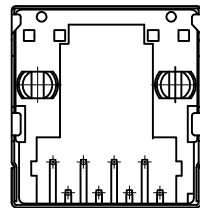
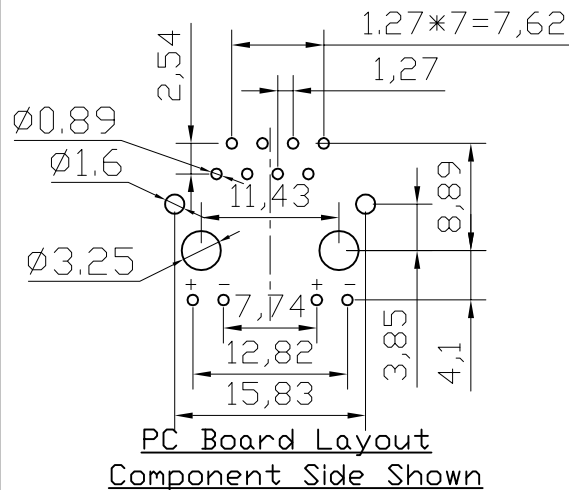
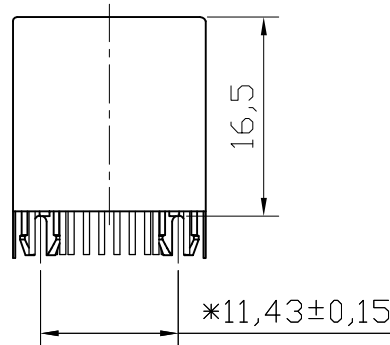
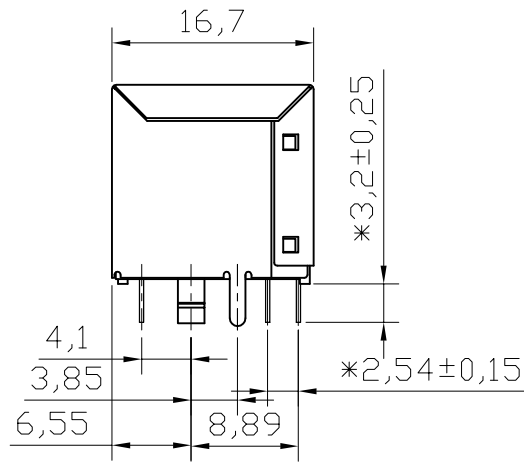
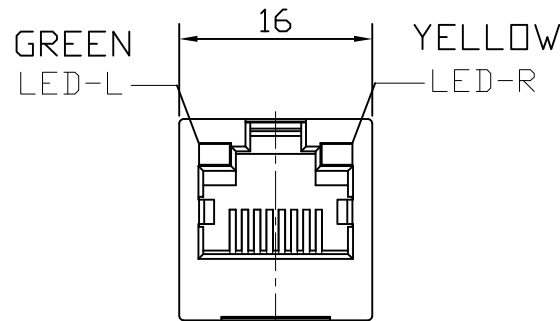
1. VOLTAGE RATING :125 VAC RMS.
2. CURRENT RATING :1.5 AMP.
3. CONTACT RESISTANCE :30 MILLIOHMS MAX.
4. INSULATION RESISTANCE :500 MEGOHMS MIN @ 500V DC .
5. DIELECTRIC WITHSTANDING RESISTANCE :1000V AC RMS 50Hz. 1MIN.

MECHANICAL:

1. DURRABILITY: :750 CYCLES MIN.
2. PCB RETENTION PRE-SOLDER :1 LB MIN.

ENVIRONMENTAL:

1. STORAGE : -40°C TO 85°C .
2. OPERATION : 0°C TO 70°C .



DETACHED LISTS	MM (INCH)		DFTO: SHB	DATE: 2007.05.05	Coorle Technology
	TOLERANCES EXCEPT AS NOTED		CHKD: LANBO	DATE: 2007.05.05	
	MM		MFO:	DATE:	
	.0 ± 0.15	±	APPVL:	DATE:	
	.00 ± 0.075	±	MATERIAL :		
.000 ± 0.05	±	QTY :			
ANGLES ± 0.5		FINISH :	DRAWING NO. CL-5224S-LED		SIZE A3
THIRD ANGLE PROJECTION		SCALE :	/PART NO.		REV 0
DO NOT SCALE DRAWING				SHEET X	OF Y